

POLYCARBONATE ENCLOSURES

Application

Designed for indoor or outdoor use to house electrical and electronic controls, instruments and components in areas that may be regularly hosed down or are in very wet conditions. Non-corrosive, UV resistant polycarbonate enclosure with opaque covers. Provides protection from dust, dirt, oil and water. For installation information, consult our installation manual at www.saginawcontrol.com.

Construction

- Impact Resistant Polycarbonate.
- Opaque cover.
- Brass inserts for securing mounting feet.
- Polycarbonate external mounting feet included.
- Pour in place oil and water resistant gasket.
- Polycarbonate quick release latches.
- Polycarbonate hinges.
- Polycarbonate hasp and staple for padlocking.
- 10-32 standoffs provided for mounting optional panels.
- Multiple bosses for easy installation of devices and DIN rails.

Finish

RAL 7035 Light Gray Polycarbonate

IS6 Industry Standards

NEMA Type 3R, 4, 4X, 12 & Type 13
UL Listed Type 3R, 4, 4X & 12
CSA Type 3R, 4, 4X & 12
IEC 60529 IP66

***To maintain Type 3R listing, drainage is required. Install equally rated drainage device or drill a 1/8 to 1/4 inch hole in the bottom center of the enclosure, approximately 1 inch from the right, and 1 inch from the left for drainage, use listed rain-tight or wet location hubs. Drip shield over the door is recommended for all outdoor applications.



332

Enclosure Product Code F1

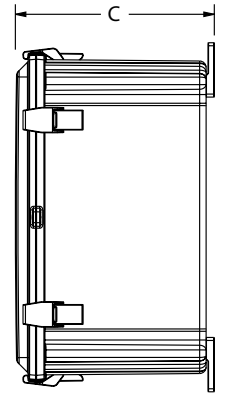
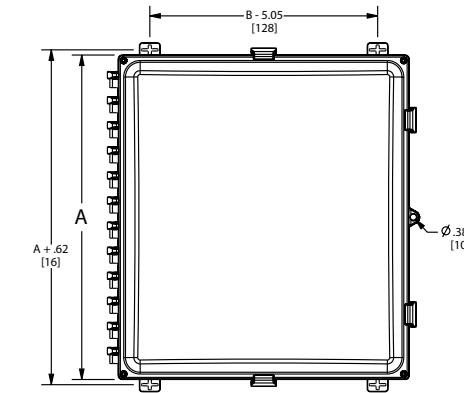
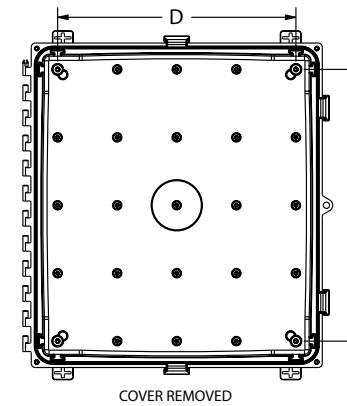
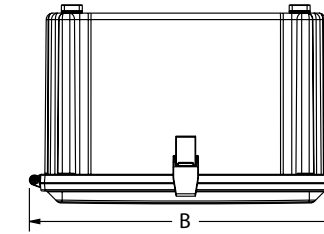
Catalog No.	Height (A)	Width (B)	Depth (C)	Industry Standard
SCE-606PC	7.41	8.68	5.84	IS6
SCE-806PC	9.47	8.68	5.86	IS6
SCE-808PC	9.41	9.41	5.86	IS6
SCE-1008PC	11.41	10.68	6.36	IS6
SCE-10086PC	11.41	9.41	7.39	IS6
SCE-1010PC	11.41	11.41	6.47	IS6
SCE-1210PC	13.40	12.68	7.86	IS6
SCE-1412PC	15.40	14.68	7.89	IS6
SCE-1614PC	17.65	16.68	9.98	IS6
SCE-1816PC	19.41	18.68	11.90	IS6
SCE-18164PC	19.41	17.41	5.41	IS6
SCE-2016PC	21.41	17.41	9.97	IS6
SCE-2424PC	25.40	26.68	11.41	IS6

Subpanel (F2)

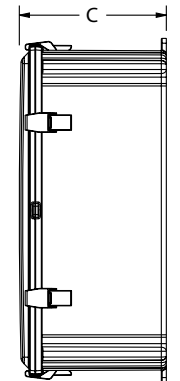
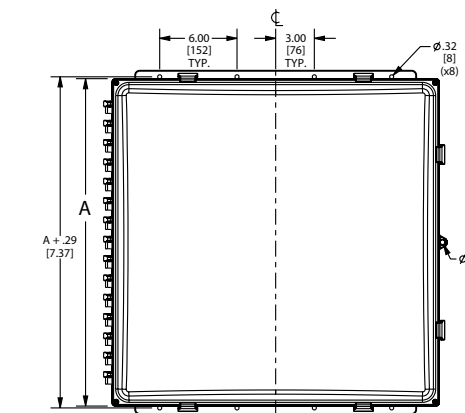
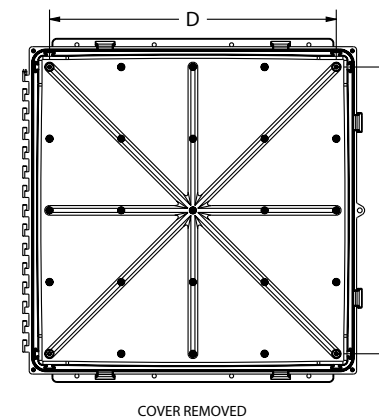
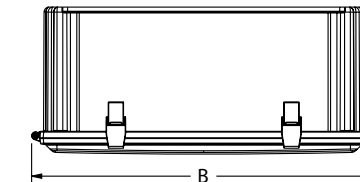
Catalog No.	Material	Panel Height (D)	Panel Width (E)
SCE-6P6	White Powder Coated Steel	5.00	5.00
SCE-6P6AL	Aluminum	5.00	5.00
SCE-8P6	White Powder Coated Steel	7.00	5.00
SCE-8P6AL	Aluminum	7.00	5.00
SCE-8P8	White Powder Coated Steel	7.00	7.00
SCE-8P8AL	Aluminum	7.00	7.00
SCE-10P8	White Powder Coated Steel	9.00	7.00
SCE-10P8AL	Aluminum	9.00	7.00
SCE-12P10	White Powder Coated Steel	11.00	9.00
SCE-12P10AL	Aluminum	11.00	9.00
SCE-14P12	White Powder Coated Steel	13.00	11.00
SCE-14P12AL	Aluminum	13.00	11.00
SCE-16P14	White Powder Coated Steel	15.00	13.00
SCE-16P14AL	Aluminum	15.00	13.00
SCE-18P16PC	White Powder Coated Steel	16.88	14.88
SCE-18P16AL	Aluminum	16.88	14.88
SCE-24P24PC	White Powder Coated Steel	22.75	22.75
SCE-24P24PCAL	Aluminum	22.75	22.75

POLYCARBONATE ENCLOSURES TECHNICAL DATA

LATCHING NOTES:
ENCLOSURES < 10.00 [254] IN HEIGHT REQUIRE ONE LATCH CENTERED IN THE DOOR VERTICALLY.
OMIT CENTER LATCH TOP AND BOTTOM OF DOOR WHEN WIDTH < 16.00 [406].



SCE-2424PC



333